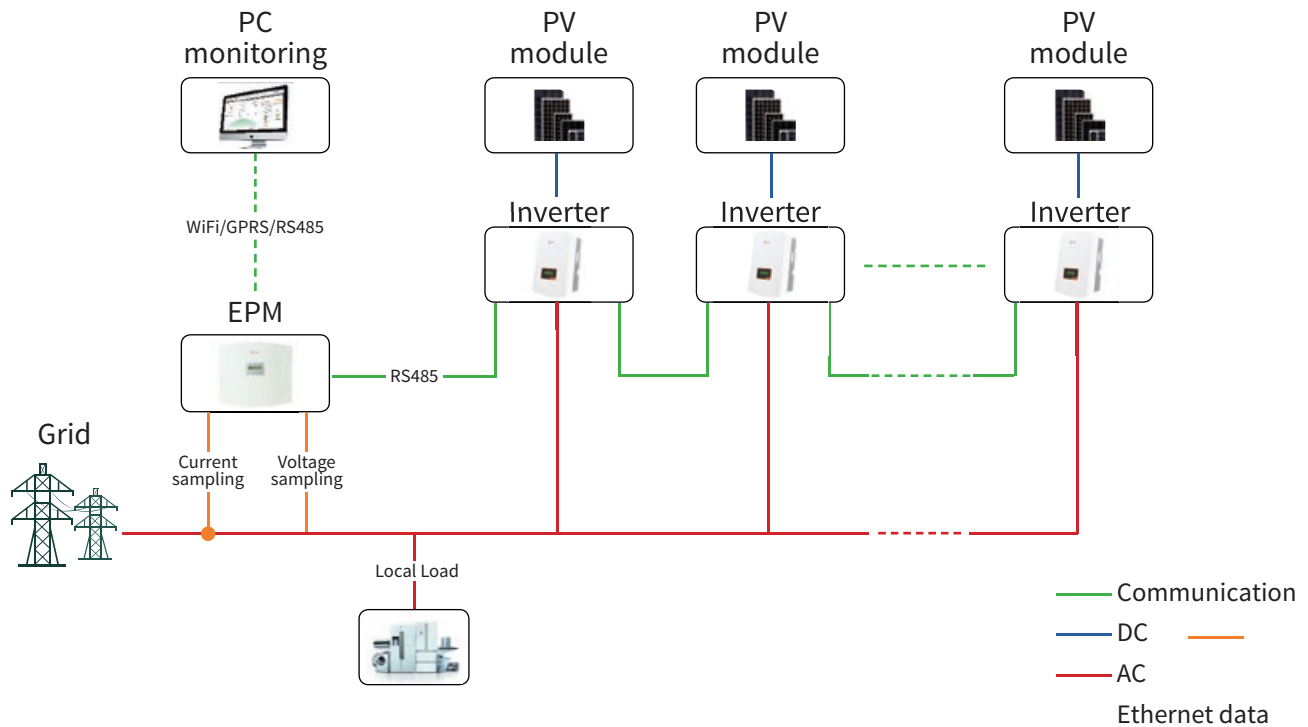


# Accessories

## Solis Export Power Manager

### Solis Export Power Manager



#### Smart & strong

- ▶ Simultaneous control of 80 X Solis inverters
- ▶ Realizing reactive compensation of the system, which ensure the power factor of the system is up to standard

#### Saving & high precision

- ▶ Simultaneously monitor the operating data of the 80 X Solis inverter, saving the cost of the monitoring system
- ▶ The control accuracy is up to 3%, which improves the system's spontaneous use rate

#### Friendly & compatible

- ▶ Support "Δ" and "Y" grid systems and single-phase grids to reduce system changes
- ▶ Supports simultaneous access of Solis inverters with different powers

## Datasheet

Model	Solis-EPM1-5G	Solis-EPM3-5G	Solis-EPM3-5G-PLUS
-------	---------------	---------------	--------------------

### Communication

Inverter communication	RS485
Monitoring	WiFi/GPRS

### Connections

Inverter connection	Single phase Ginlong inverters	Three phase Ginlong inverters
Max. inverter number	10	80
Monitoring connection	WiFi stick or GPRS stick for single inverter connection WiFi box or GPRS box for 2-10 inverter connection	WiFi box or GPRS box (Built-in)
Grid connection	1/N/PE	3/(N)+PE

### CT specification

CT connection	Plug terminal
Recommended CT Input current range	100A/300A/600A/1000A/1500A/2000A/3000A (optional)
CT secondary current	5A

### Voltage supply

Totally RS485 cable length	1000 m
Standard CT cable length	10 m

### Voltage supply

Voltage supply	Grid
Input voltage	L to N: 100~ 277 Vac, 50 / 60 Hz
Power consumption	<5 W

### Ambient conditions during operation

Ambient temperature	-25°C~60°C
Degree of protection (according to EN IEC 60529)	IP65
Maximum permissible value for relative humidity (non-condensing)	5 % to 95 %

### General data

Dimensions (W*H*D)	364mm*276mm*114mm	488mm*445.8mm*149mm
Weight	2.1kg	5.35kg
Mounting location	Indoor and outdoor	
Deployment options	Wall mounting	

### Features

Operation	Via LCD
Control time	5 s
Fail safe function and control time	Yes, 5 s
Accuracy	0.03
Remote upgrade	Support